

# made in Japan made by OSADA

We're one with Dr. & Dental Hygienist

OPAL COMFORT  
for the senior

 OSADA

We would like  
to be the force  
to support these  
smiles.

Osada's OPAL COMFORT, it's  
the best "Care-free Unit",  
which holds high quality  
functions and thoughtfulness  
to satisfy all the demands  
from patients like the elderly,  
small children, the physically  
challenged and dentists &  
staff as well.



OPAL COMFORT



The new functions for safety for the patients like physically challenged and people require help are fully equipped. To lighten the burden of gargling posture, the way of the rotation of the chair and support arms of the chair are created with ingenuity. Please experience the assured safety and less stress for dentists & staff at the time of treatment.



# Inspiration from "the supporting hands"



• 180° Rotation

• When getting on and off

## The Chair Rotation and L-Step Movement

The chair rotates 180 degrees and the patient can enter/exit the chair from the chair side and front side both. The wheelchair patient has less danger of the chair turnover by using the support arm with which the patient can be managed all alone. The chair L-step opens sideways and the patient can be guided into the safety smoothly.



## Support Arm

It supports firmly the lack of stability of the patient when he is getting on and off the chair. The arm is sturdy and can bear the adult's body weight. With its rubber easy to hold and a stick holder, the shifting from the wheelchair is smooth.



## Forward Tilting (from leveling)

The backrest and seat can be tilted 5 degrees forward, and the patient can be easy to enter and exit the chair.



## Backward Tilting

The backrest and seat can be tilted 25 degrees and the patient of the bent back (or stoop) can be treated with the comfortable posture.



## Comfort seat

Soft seat made of the low repulsion polyurethane foam which hardly gives to the body even for long time sitting supports the patient softly.





• Normally



• Care mode

Care Mode

The chair moves with slower speed than ordinary, the patient can sit without feeling fear and get the treatment with ease.

Automatic Rotation of Spittoon Bowl Table

The spittoon bowl table automatically rotates interlocking with the chair movement and the patient can gargle with the easy posture. While gargling, the system has the safety device to lock automatically.



Bowl Table Support Handle

The patient who has paralyzed or shaking hands even can keep stable posture by catching the handle and can gargle with ease.



Subtle adjustment of gargling position

For easy gargling, the height of the seat can be adjusted for the patient by the operation switch at the side of the chair without averting the eyes from the patient.



Vacu Cup

By inserting it to the vacuum hose, patient can wash mouth holding it near his lips. When it's over, the vacu cup can be just pulled out from the vacuum hose.



## For Doctor & Assistant

01 The color combination on the operation panel is made for easy discerning during the treatment.

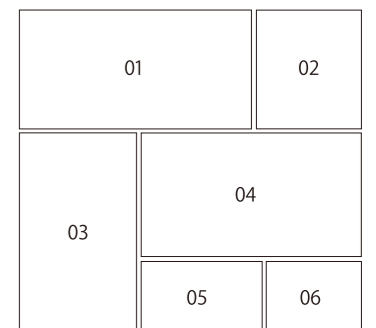
02 The chair does not move if it is not on normal position as the safety device works.

\* The chair rotation is possible wherever the support arm is positioned.

03 Without averting eyes from patient, chair operation can be done.

04. The angle adjustment of the instrument holder is in wide range, the position is selected as desired.

05,06 Assistant holder is positioned at higher than conventional one and arm part is multi-jointed system. The good assistant area is easily kept and it helps to give smooth support to patients.



# Specifications

## Specifications

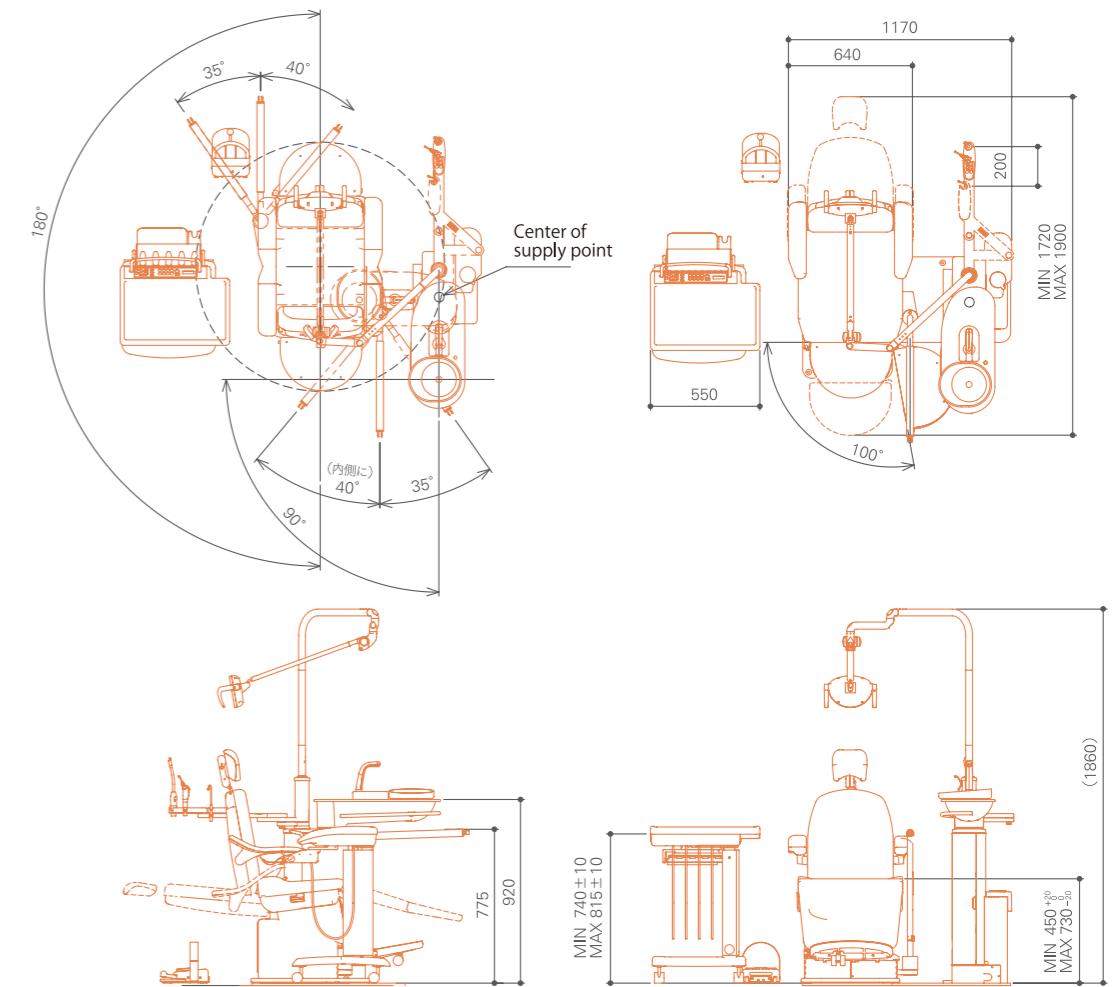
Product	Osada Opal Comfort	
Approval No.	226AHBZX00022000	
Classification	Controlled Medical Device/Medical Device Requiring Specially Designated Maintenance Management/ Installation Controlled Medical Device	
Power Source	Voltage	AC 100V
	Frequency	50 / 60Hz
	Current	8A
Weight	250kg	
Chair	Min. height	450mm
	Max. height	730mm
Table	Min. height	740mm
	Max. height	815mm
Backrest movable angle	Auto:65° / Manual 75°	
Tilt	30° (Forward:5° /Backward:25° )	
Spittoon section	Built-in Type/Water circuit automatic draining/Bowl automatic rotation/ Simple assistant holder	
Water Supply/Drainage	Stored in the spittoon body	
Safety Device	Chair Safety Device /Instrument first priority circuit/Chair Lock System	
Others	Instrument water circuit cleaning system/Turbine trial revolution system	

## Equipment specifications

Model	OPL2.1-1101	OPL2.1-1111	OPL2.1-2101	OPL2.1-2111	OPL2.1-1211	OPL2.1-1201
Product code	0787	0788	0789	0790	0791	0792
Air turbine	Osada Tron F1 TP,MP,TS,MS/One specification	●	●	-	-	●
	Osada Tron F2 TP,MP,TS,MS/Two specifications	-	-	●	●	-
Micromotor	GSL set	●	●	●	●	● 2
	G1 set	○	○	○	○	○
Multi Purpose Ultrasonic treatment system	Osada Enac 11L (with light)	-	●	-	●	-
	Osada Enac 10L (with light)	-	○	-	○	-
Doctor syringe	Osada Multi Syringe F	●	●	●	●	●
	Osada Multi Syringe FL (with light)	○	○	○	○	○
	Osada Multi Syringe S (disposable nozzle type)	○	○	○	○	○
Assistant syringe	Osada Multi Syringe F	●	●	●	●	●
Vacuum	Vacuum hose with a cock	●	●	●	●	●
	Vacuum hose with a switch	○	○	○	○	○
	Vacuu cup	○	○	○	○	○
Saliva ejector hose	Saliva ejector hose with a cock	●	●	●	●	●
Instrument holder	Flat type/Vertical type	●	●	●	●	●
Controller	Lever type (without chair control pedals)	●	●	●	●	●
	Pedal type (without chair control pedal)	○	○	○	○	○
	Three pedal type (without chair control pedal)	○	○	○	○	○
	Lever type (with chair control pedals)	○	○	○	○	○
	Pedal type (with chair control pedal)	○	○	○	○	○
Headrest	Senior type headrest	●	●	●	●	●
	Double pad type headrest	○	○	○	○	○
	Operating light	LH-M19S-4500K/5000K (auto lighting & toggle switch)	●	●	●	●
	LH-M16-4500K/5000K (auto lighting & sensor switches)	○	○	○	○	○
	LH-M17-4500K/5000K (auto lighting /auto return & sensor switches)	○	○	○	○	○
Spittoon	Bowl automatic rotation (Automatic rotation of spittoon bowl table/Sonic filler)	●	●	●	●	●

● : Standard ○ : Additional option

# Dimensions



# Color



Leather color: British Camel  
Body color: Marigold Orange



Leather color: Urban White  
Body color: Pearl White



Since 1935

**OSADA ELECTRIC CO.,LTD.**

<https://osada-group.jp>

17-5, Nishi-Gotanda 5-Chome, Shinagawa-ku, Tokyo, 141-8517, Japan Tel +81-3-3492-7651

- ※ It may look different from the actual color due to the printing ink.
- ※ Please note that the specifications of the product are subject to change without notice due to improvements.